



◎ FEATURES

- Miniature dimension
- Compression applications
- Application for limited space
- Integral load button

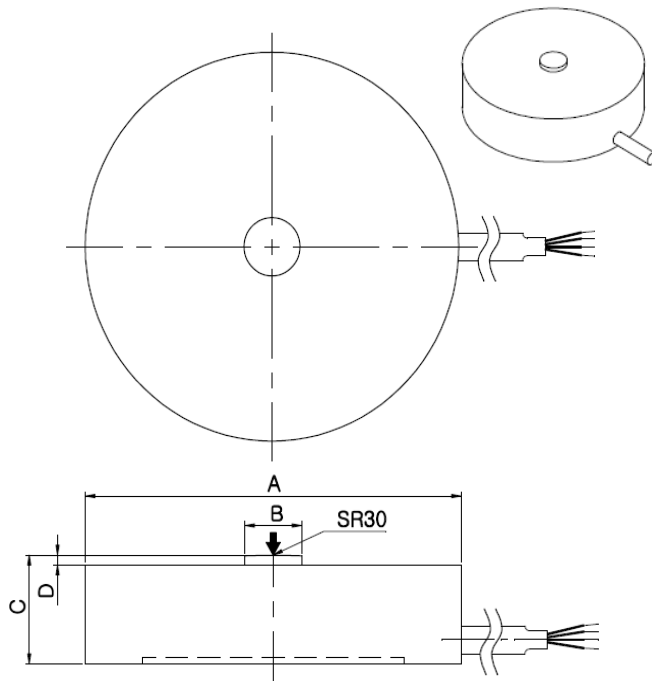
◎ Material

- Anodized Aluminum (1~10Kgf)
- Stainless steel (20~100Kgf)

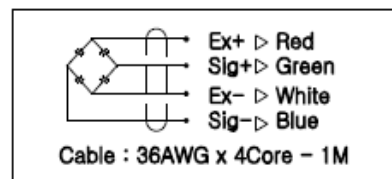
◎ Cable

- Thin 4-wire cable of 36 AWG standard

◎ DIMENSIONS



MODEL	A	B	C	D
CLMN-1L	20	3	3.5	0.5
CLMN-2L				
CLMN-5/10L				
CLMN-20L			4.0	
CLMN-30L				
CLMN-50L				
CLMN-100L	5.0			



◎ SPECIFICATIONS

Max. Capacity	kgf	1, 2, 5, Kgf	10, 20, 30, 50, 100Kgf
Rated output	mV/V	0.5(Approx)	1.0(Approx)
Zero balance	mV/V	0.0 ± 0.1	
Combined error	%	2.0	
Repeatability	%	1.0	
Creep(30min.)	%	1.0	
Temperature effect on			
Zero value	%/°C	0.5	
Output value	%/°C	0.5	
Excitation			
Recommended	V	5	
Maximum	V	10	
Resistance			
Input	Ω	350 ± 3.5	
Output	Ω	350 ± 3.5	
Insulation	MΩ	> 2,000 @50V DC	
Compensated temp.range	°C	-10 ~ +40	
Operating temp. range	°C	-20 ~ +80	

* Specifications are subject to change without notice