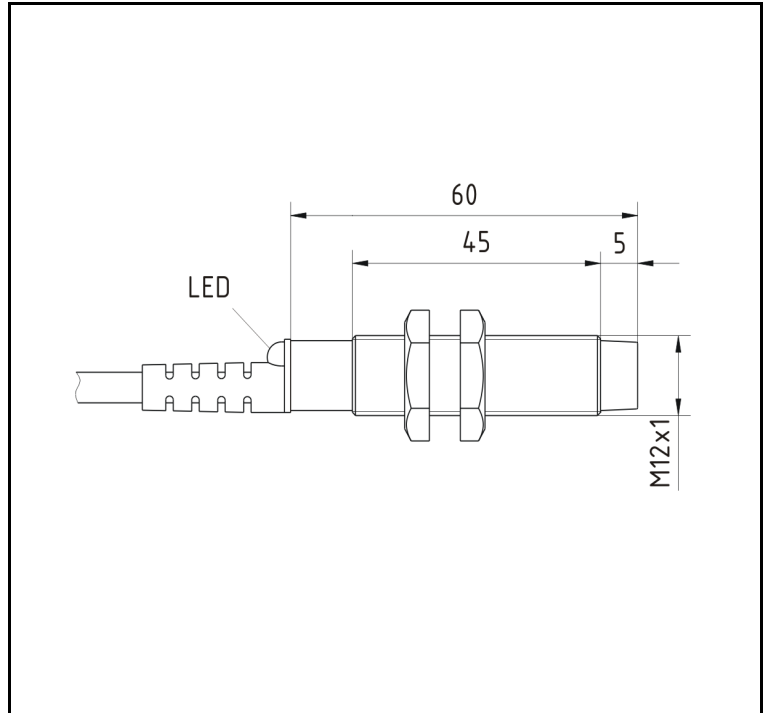
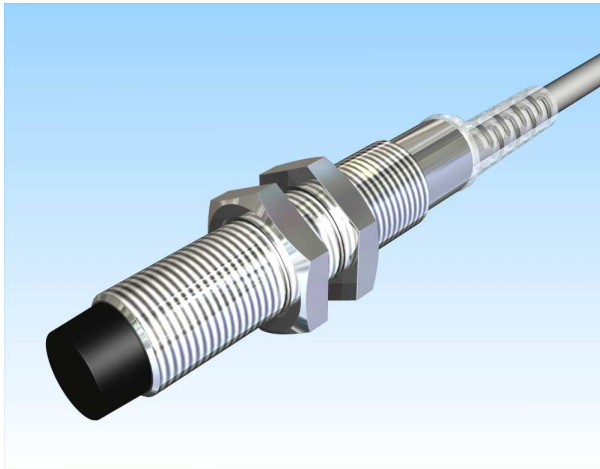


KJ4-M12MN60-AZS



Rated Operating Distance	S_n
Mounting	
Output	
Order Number	
Operating Voltage	U _b
Line frequency	f
Voltage Drop	
Max. Load Current	I _e
Short time current	I _k
Residual current	I _r
Max. Switching Frequency	F
Time Delay before Availability	
Short Circuit / Reverse Polarity Protection	
Hysteresis	H
EMC - Level Shock / Vibration	
Assured Operating Distance	S _a
Temperature Drift	
Repeat Accuracy	R
Protection Degree	
Indication of the Switching State	
Ambient Temperature	T _a
Design	
Housing Material	
Material of Active Area	
Kind of Termination	
Utilization Category	
MTTF / FIT	(acc. Siemens-Standard 29500)

4 mm
non shielded
2-wire N.O.
08317520400
90 - 250 VAC
50 / 60 Hz AC
ca. ≤ 5 V (300 mA) / ≤ 10 V (5 mA)
≤ 180 mA
≤ 1 A (20ms / 1Hz)
≤ 5 mA
15 Hz AC
≤ 300 ms
yes / yes
≤ 15 %
acc DIN EN 60947-5-2 Part 7.4.1 / 7.4.2
3.42 mm
≤ 10 %
≤ 10 %
IP 67 acc, DIN EN 60529
LED yellow
- 25°C ... +70°C
M12x1x60
nickel plated brass
PA 6.6
2,0m Leitung PVC grau 3x AWG20

