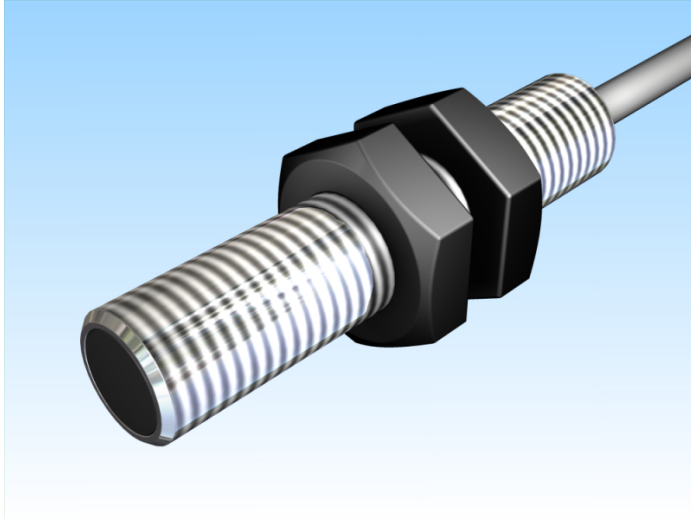
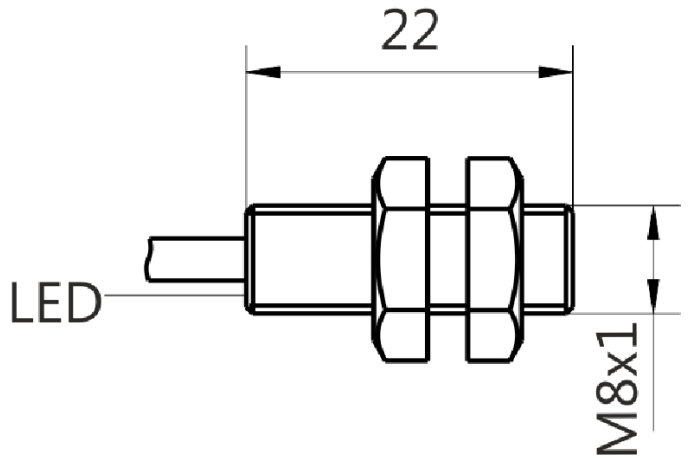


[Article Page](#)

Product Description



inductive sensor DC

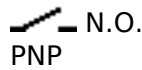


Name  
Order number  
Matchcode  
Switching distance  
Mounting

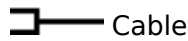
KJ2-M8EB22-DPS-X0303  
08317810010  
9081-0010  
2 mm



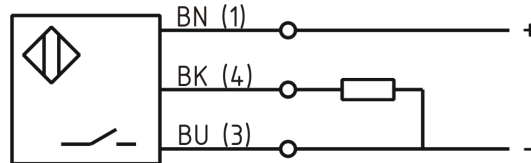
Switch type



Signal Type  
Connection



Connection diagramm



Dimension (in mm)  
Technical Specification

fine-pitch thread M8 x 22

Operating voltage  
Max. ripple  
Voltage drop  
Max. load current  
No load current  
Leakage current  
Switching frequency  
Switching hysteresis  
Temperature drift  
Repeat accuracy  
Switching state  
Short-circuit proof  
Overload protection  
Reverse voltage protection  
Protection category  
EMC-level  
Housing material  
Material active face  
Cable length  
Utilisation category  
Cable material

10 - 30 VDC  
≤ 10 %  
1  
200  
≤ 10 mA  
≤ 10 µA  
5000  
≤ 15 %  
≤ 10 %  
≤ 5 %  
LED  
yes  
yes  
yes  
IP &7  
acc. to DIN EN 60947-5-2: 2008  
Stainless steel V2A  
Ultramid B3ZG3  
2 m  
DC 13  
PUR schwarz LIY11Y



## KJ2-M8EB22-DPS-X0303

Pulsotronic GmbH & Co. KG Neue Schichtstraße 14b 09366 Niederdorf Deutschland +49 (0)37296 930-200

Cable cross

3x0.14 mm<sup>2</sup>

**Errors and omissions exceptet**