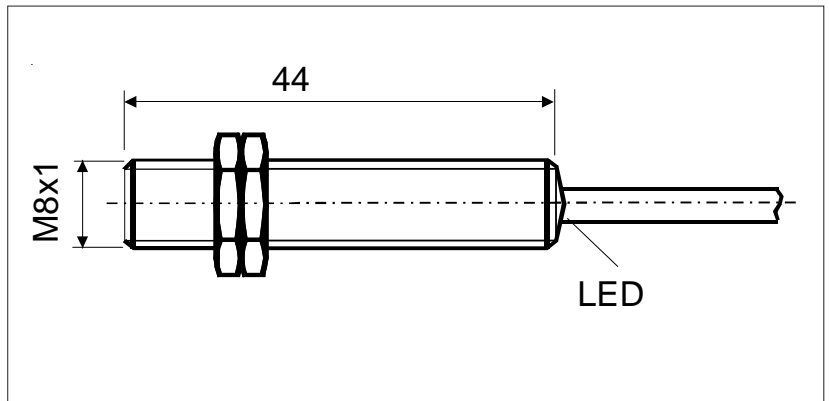


INDUCTIVE SENSORS



Switching Distance S_n

2,0 mm

Mounting

shielded

Type

KJ2-M8EB44-DPS-X0303

Order Number

08317813010 (9081-3010)

Operating Voltage U_b

10 - 30 VDC

max. Ripple

$\leq 10 \%$

Voltage drop U_d

$\leq 1,0 \text{ V}$

Max. Load Current I_e

200 mA

No Load Current I_o

$\leq 10 \text{ mA}$

Leakage Current I_r

$\leq 0,3 \text{ mA}$

Switching Frequency f

$\leq 5000 \text{ Hz}$

Switching Hysteresis H

$\leq 15 \%$

Operating Temperature T_a

$-25^\circ\text{C} \dots +70^\circ\text{C}$

Temperature Drift

$\leq 10 \%$

Repeat Accuracy R

$\leq 10 \%$

Protection Category

IP 67

Switching State

LED

EMC - Level

acc. EN 60947-5-2 / 7-5-1: 2008-08

Housing Material

stainless steel 1.4305

Material Active Face

PCP

Termination

2m cable PUR LIFY11Y 3x0,14mm²

Wiring Diagram PNP N.O. :

