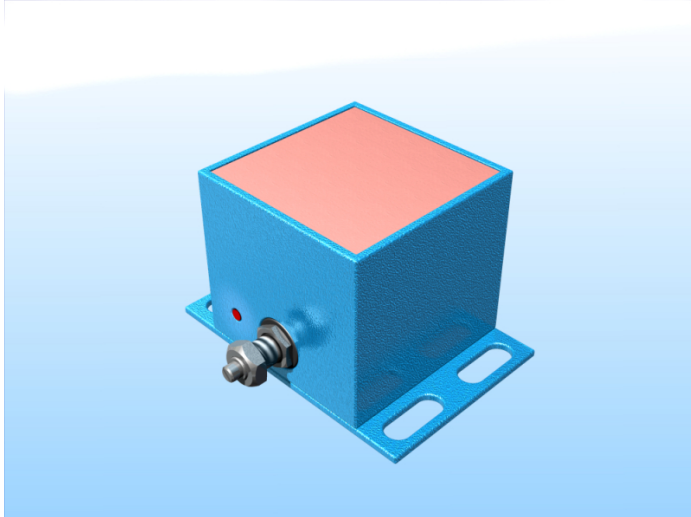
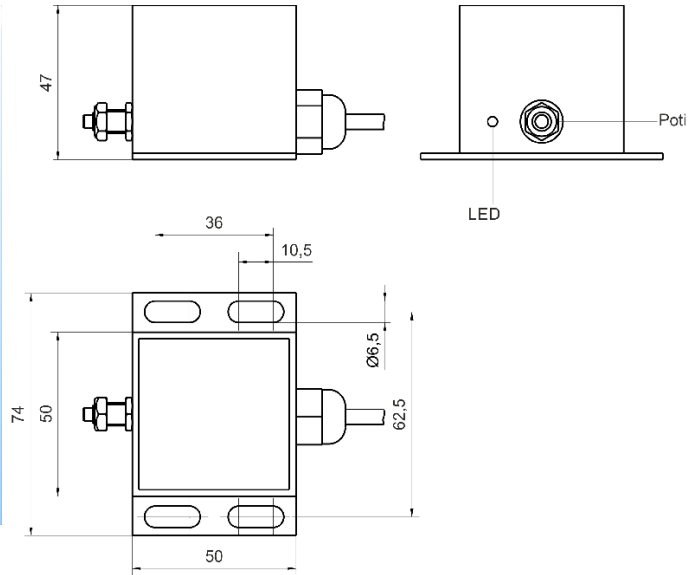


[Article Page](#)

Product Description

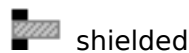


inductive sensor DC

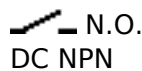


Name  
Order number  
Matchcode  
Switching distance  
Mounting

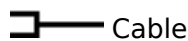
KJ40-Q50AB-DNS  
08317070100  
9807-0100  
40 mm



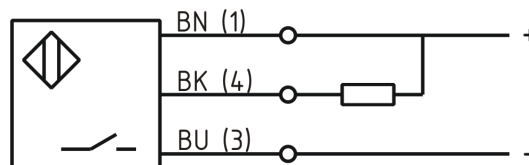
Switch type



Signal Type  
Connection



Connection diagramm



Q 50 x 47 x 74

Dimension (in mm)  
Technical Specification

Operating voltage  
Max. ripple  
Voltage drop  
Max. load current  
No load current  
Leakage current  
Switching frequency  
Switching hysteresis  
Operating temperature  
Temperature drift  
Repeat accuracy  
Switching state  
Short-circuit proof  
Overload protection  
Reverse voltage protection  
Protection category  
EMC-level  
Housing material  
Material active face  
Cable length

10 - 30 V DC  
≤ 10 %  
2,4 V  
400 mA  
≤ 18 mA  
≤ 10 μA  
300  
≤ 15 %  
-25 ° C to 70 ° C  
≤ 10 %  
≤ 2 %  
LED  
yes  
yes  
yes  
IP67  
DIN EN 60947-5-2: 2008  
Aluminum  
Drovidur  
2 m



## KJ40-Q50AB-DNS

Pulsotronic GmbH & Co. KG Neue Schichtstraße 14b 09366 Niederdorf Deutschland +49 (0)37296 930-200

Utilisation category  
Cable material  
Cable cross  
Notes

DC 13  
PVC grau LIYY  
3x0.34 mm<sup>2</sup>  
Schaltabstand über Potentiometer einstellbar.

**Errors and omissions excepted**