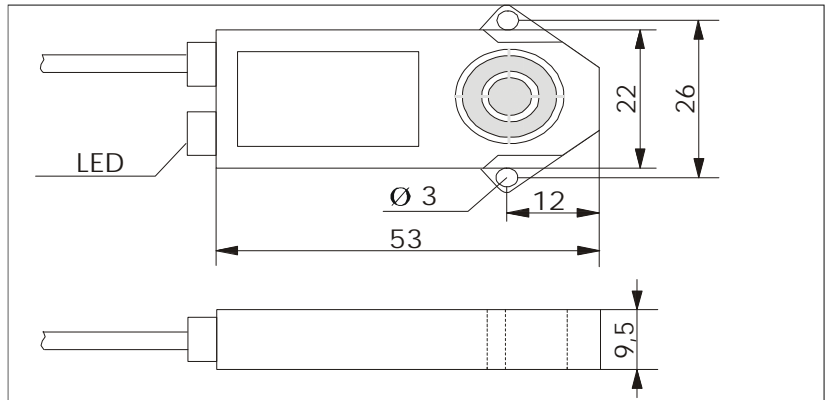


INDUCTIVE SENSORS



Switching Distance S_n

6 mm

Mounting

shielded

Type

KJ6-Q22KB-DPS

Order Number

08317640200 (old: 9864-0200)

Operating Voltage U_b

10 - 30 VDC

max. Ripple

± 10 %

Voltage drop U_d

± 2,4 V

Max. Load Current I_e

400 mA

No Load Current I_o

± 10 mA

Leakage Current I_r

± 10 µA

Switching Frequency f

800 Hz

Switching Hysteresis H

15 %

Operating Temperature T_a

-25°C ... +70°C

Temperature Drift

± 10 %

Repeat Accuracy R

± 10 %

Protection Category

IP 67

Switching State

LED

EMC - Level

acc. IEC 60947-5-2

Housing Material

Trogamid T

Material Active Face

Trogamid T

Termination

2m cable PVC 3x0.34 mm²

Wiring Diagram

