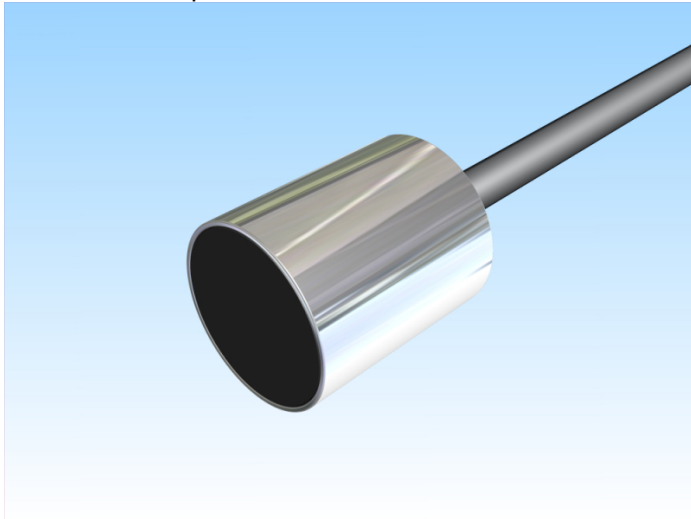
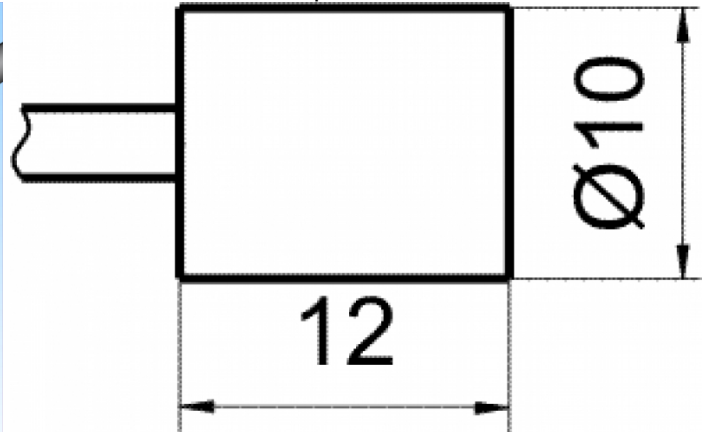


[Article Page](#)


Product Description




inductive sensor Pick-Up



Name	KJ3-G10MB12
Order number	08317061000
Matchcode	9906-1000
art_schaltabstand_einstellbar	yes
Switching distance	3 mm
Mounting	

 shielded

Connection

 Cable
D 10 x 12

Dimension (in mm)

Technical Specification

Special features

Switching frequency

Switching hysteresis

Operating temperature

Repeat accuracy

Protection category

EMC-level

Housing material

Material active face

Cable length

Cable material

Cable cross

FIT / MTTF acc. to SIEMENS 29500

PickUp sensor for using with amplifiers

5000 Hz

bei $S_n = 1,5 \text{ mm} < 0,05 \text{ mm}$

-10 ° C to 70 ° C

$\leq 0,01 \text{ mm}$

IP67

n.n.

Brass, nickel plated

PA 6.6

2 m

Koax PVC LI2YDY

1x 1,0

6,56 / 17402y

Errors and omissions excepted