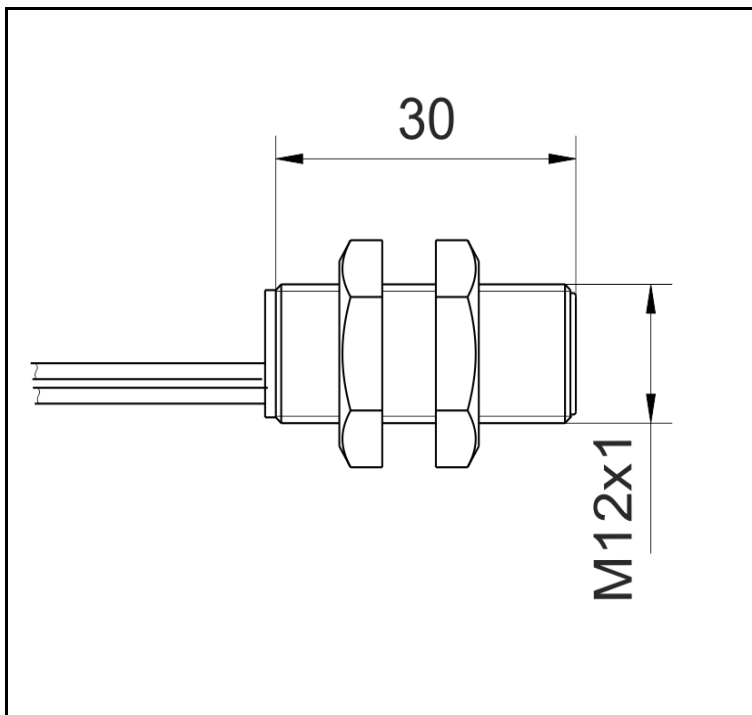




KJ4-M12KN30-NA-HT125



INDUCTIVE NAMUR SENSOR



Sensing Range	S_n
Mounting	
Output	
Order Number	

4.0 mm
non shielded
2-wire NAMUR
08317321032 (old: 9932-1032)

Operating Voltage nominal	U _b
internal Capacity	nF
Internal Inductivity	μH
min. Current Consumption switch state ON	
max. Current Consumption switch state OFF	
switching Frequency	f
Hysteresis	H
EMC - protection	
Temperature Drift	
Kind of Protection	
Switching Indicator	
Ambient Temperature	T _a
Housing Material	
Material active sensing Face	
Termination	
Switching Device necessary	
MTTF / FIT (acc. Siemens standard 29500)	

8,2 VDC at Ri = 1kΩ
≤ 145
≤ 75
< 1,1 mA
> 2,2 mA
1000 Hz
acc. to switching device
acc. to DIN EN 60947-5-6 2000-12
≤ 10 %
IP 67 acc. to DIN EN 60529
NO
- 40°C ... + 125 °C
Hostadur blue
-
5m cable PTFE Li6Yv6Y 3x0.25 grey
yes
5722 / 19,95

Termination schema:

