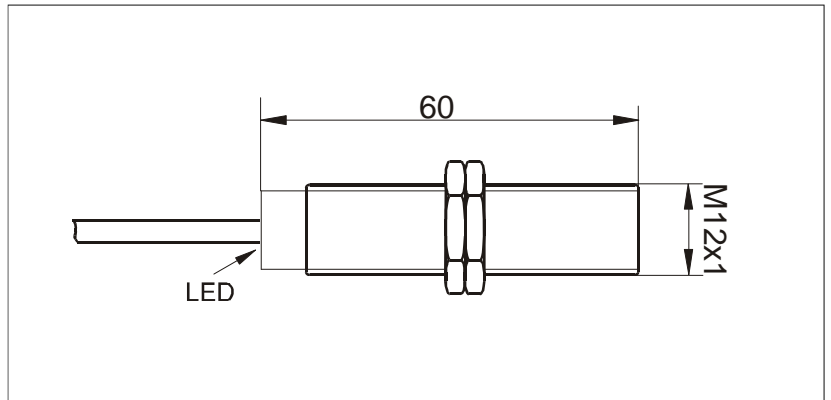


## Inductive Sensors



Switching Distance  $S_n$

2 mm

Mounting

shielded

Name

KJ2-M12MB60-AZS

Order-Number

08317520500 (old: 9952-0500)

Operating Voltage  $U_b$

90 - 250 VAC

Frequency  $f$

50/60 Hz AC

Voltage Drop  $U_d$

£ 11,9 V

max. Load Current  $I_e$

£ 200 mA

No Load Current  $I_o$

£ 5 mA

Short Peak Current  $I_k$

1,0 A

Switching Frequency  $f$

15 Hz / 150mA

Hysteresis  $H$

£ 15 %

Operating Temperature  $T_a$

-25°C ... +70°C

Temperature Drift

£ 10 %

Repeat Accuracy  $R$

£ 5 %

Protection

IP 67

Switching Indication

LED

EMC-Protection

acc. EN 60947-5-2 Part 7.4.1. / 7.4.2

Housing Material

brass, nickel plated

Material Active Area

PA 6.6

Kind of Connection

Cable LIYY 3x0,5mm<sup>2</sup>

Termination

