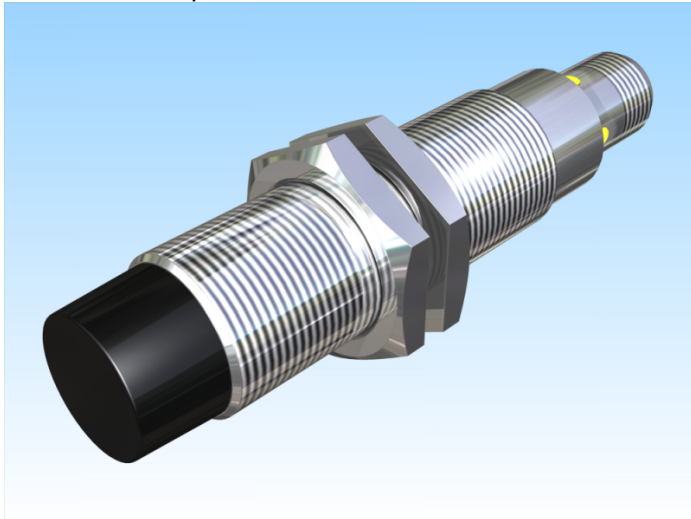
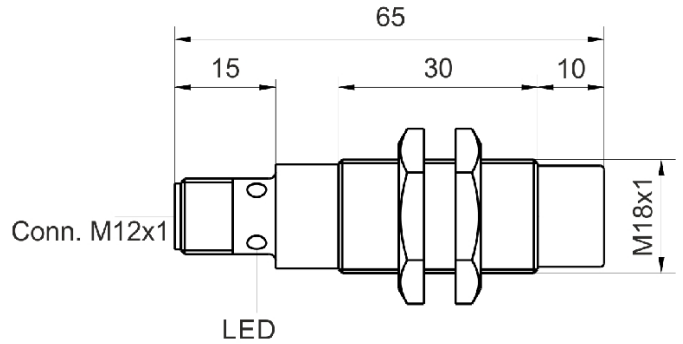


[Article Page](#)

Product Description



inductive sensor DC

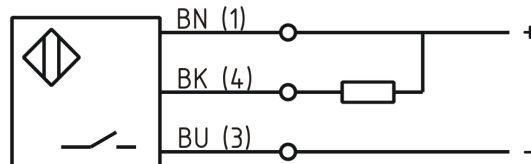


Name  
Order number  
Matchcode  
Switching distance  
Mounting  
  
Switch type  
  
Signal Type  
Connection  
Connection diagramm

KJ8-M18MN65-DNS-V2  
08317644365  
9964-4365  
8 mm

non shielded

N.O.  
DC NPN  
connector M12



fine-pitch thread M18 x 65

Dimension (in mm)  
Technical Specification  
Operating voltage  
Max. ripple  
Voltage drop  
Max. load current  
No load current  
Leakage current  
Switching frequency  
Switching hysteresis  
Operating temperature  
Temperature drift  
Repeat accuracy  
Switching state  
Short-circuit proof  
Overload protection  
Reverse voltage protection  
Protection category  
EMC-level  
Housing material  
Material active face  
Utilisation category  
Termination

10 - 30 VDC  
≤ 10 %  
2,4 V  
200 mA  
≤ 13 mA  
≤ 10 μA  
500 Hz  
≤ 15 %  
-25 ° C to 70 ° C  
≤ 10 %  
≤ 10 %  
LED  
yes  
yes  
yes  
IP67  
DIN EN 60947-5-2: 2008  
Brass, nickel plated  
Schulamid  
DC 13  
Connector M12 4pin



## **KJ8-M18MN65-DNS-V2**

Pulsotronic GmbH & Co. KG Neue Schichtstraße 14b 09366 Niederdorf Deutschland +49 (0)37296 930-200

**Errors and omissions excepted**