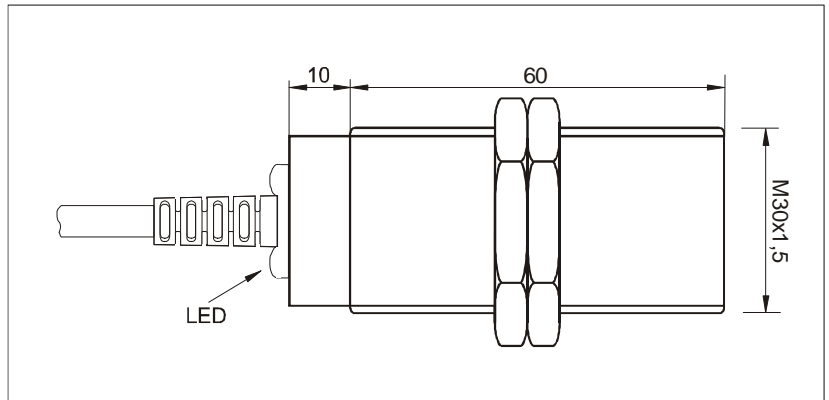


INDUCTIVE SENSORS



Switching Distance S_n

10,0 mm

Mounting

shielded

Type

KJ10-M30KB60-DPS

Order Number

08317663100

Operating Voltage U_b

10 - 30 VDC

max. Ripple

£ 10 %

Voltage drop U_d

£ 2,4 VDC

Max. Load Current I_e

400 mA

No Load Current I_o

£ 10 mA

Leakage Current I_r

£ 0,01 mA

Switching Frequency f

£ 500 Hz

Switching Hysteresis H

£ 15 %

Operating Temperature T_a

-25°C ... +70°C

Temperature Drift

£ 10 %

Repeat Accuracy R

£ 5%

Protection Category

IP 67

Switching State

LED

EMC - Level

acc. EN 60947-5-2 / 7-5-1 2008-08

Housing Material

PA 6.6

Material Active Face

PA 6.6

Termination

2m cable PVC LIYY 3x0,34mm²

Wiring Diagram PNP N.O.

