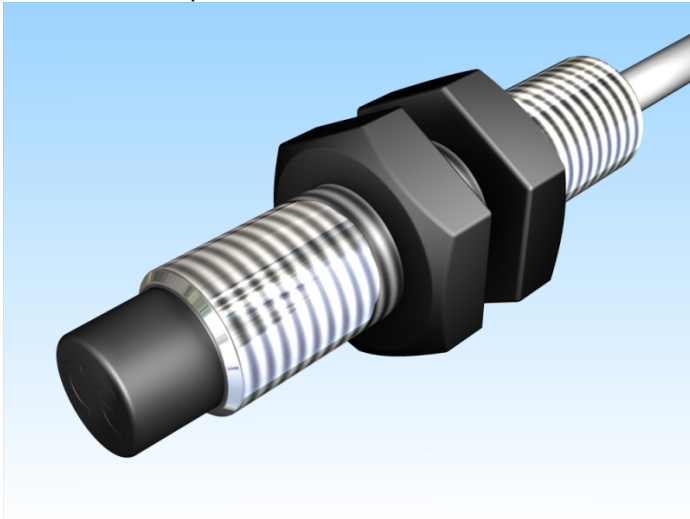
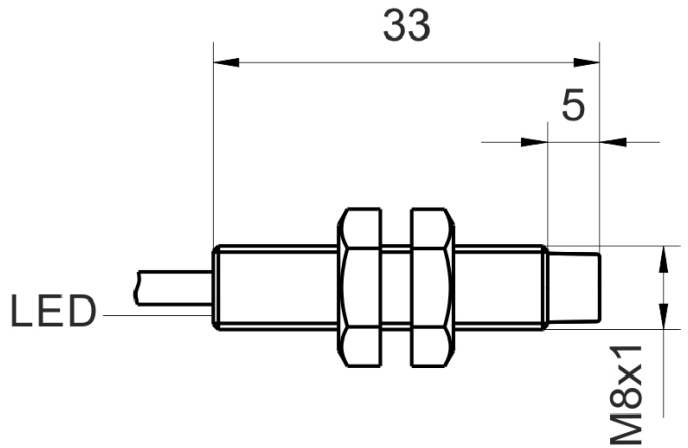


[Article Page](#)

Product Description



inductive sensor DC



Name  
Order number  
Matchcode  
Switching distance  
Mounting

KJ3-M8MN33-DPS  
08317811200  
9981-1200  
3 mm

non shielded

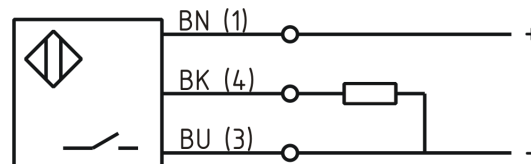
Switch type

N.O.  
DC PNP

Signal Type  
Connection

Cable

Connection diagramm



fine-pitch thread M8 x 33

Dimension (in mm)  
Technical Specification  
Operating voltage  
Max. ripple  
Voltage drop  
Max. load current  
No load current  
Leakage current  
Switching frequency  
Switching hysteresis  
Operating temperature  
Temperature drift  
Repeat accuracy  
Switching state  
Short-circuit proof  
Overload protection  
Reverse voltage protection  
Protection category  
EMC-level  
Housing material  
Material active face  
Cable length  
Utilisation category

10 - 30 VDC  
≤ 10 %  
2,4 V  
200 mA  
≤ 13 mA  
≤ 10 μA  
2000 Hz  
≤ 10 %  
-25 ° C to 70 ° C  
≤ 10 %  
≤ 5 %  
LED  
yes  
yes  
yes  
IP67  
DIN EN 60947-5-2: 2008  
Brass, nickel plated  
Ultramid B3ZG3  
2 m  
DC 13



## KJ3-M8MN33-DPS

Pulsotronic GmbH & Co. KG Neue Schichtstraße 14b 09366 Niederdorf Deutschland +49 (0)37296 930-200

Cable material  
Cable cross

PVC grau LIYY  
3x0.14 mm<sup>2</sup>

**Errors and omissions exceptet**