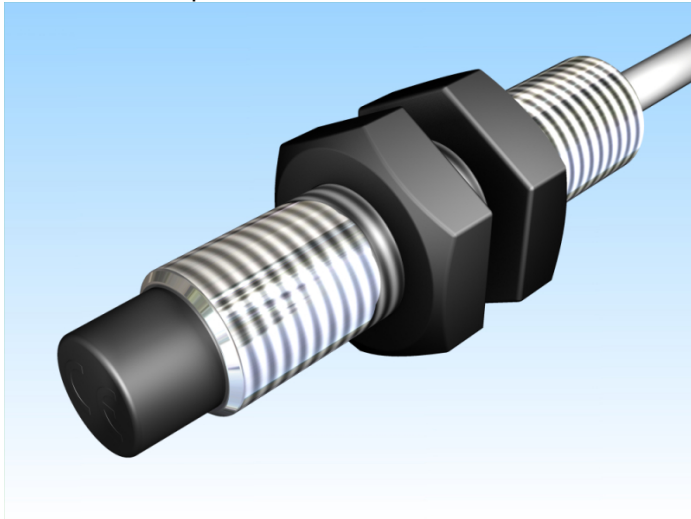
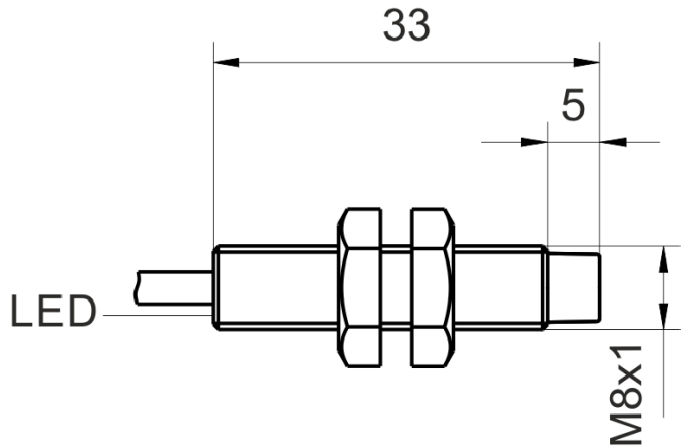


[Article Page](#)

Product Description



inductive sensor DC



Name
Order number
Matchcode
Switching distance
Mounting

KJ3-M8MN33-DNS
08317811300
9981-1300
3 mm

non shielded

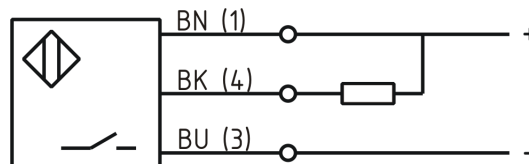
Switch type

N.O.
DC NPN

Signal Type
Connection

Cable

Connection diagramm



fine-pitch thread M8 x 33

Dimension (in mm)
Technical Specification
Operating voltage
Max. ripple
Voltage drop
Max. load current
No load current
Leakage current
Switching frequency
Switching hysteresis
Operating temperature
Temperature drift
Repeat accuracy
Switching state
Short-circuit proof
Overload protection
Reverse voltage protection
Protection category
EMC-level
Housing material
Material active face
Cable length
Utilisation category

10 - 30 VDC
≤ 10 %
2,4 V
200 mA
≤ 13 mA
≤ 10 μA
2000 Hz
≤ 10 %
-25 ° C to 70 ° C
≤ 10 %
≤ 5 %
LED
yes
yes
yes
IP67
DIN EN 60947-5-2: 2008
Brass, nickel plated
Ultramid B3ZG3
2 m
DC 13



KJ3-M8MN33-DNS

Pulsotronic GmbH & Co. KG Neue Schichtstraße 14b 09366 Niederdorf Deutschland +49 (0)37296 930-200

Cable material
Cable cross

PVC grau LIYY
3x0.14 mm²

Errors and omissions exceptet