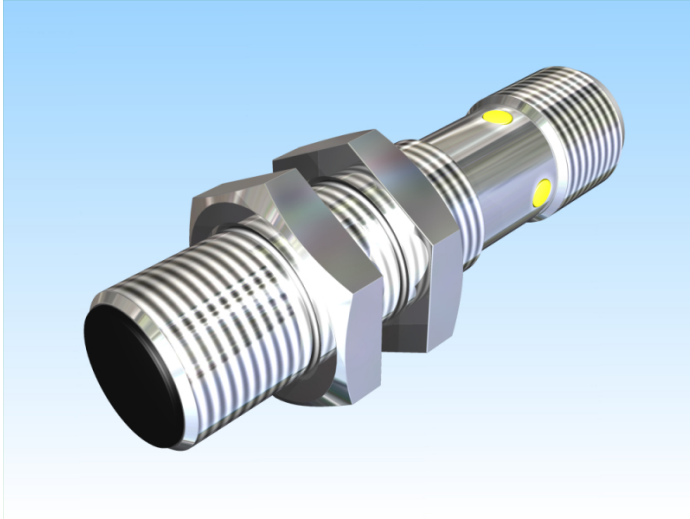
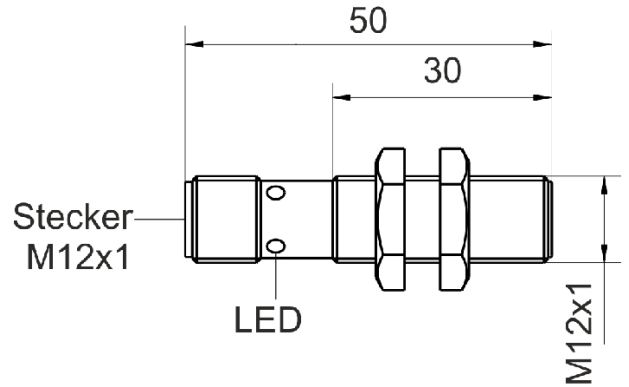


[Article Page](#)

Product Description



inductive sensor DC





Name
Order number
Matchcode
Switching distance
Mounting

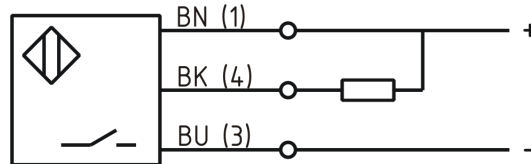
Switch type

Signal Type
Connection
Connection diagramm

KJ2-M12MB50-DNS-V2
08317822165
9982-2165
2 mm

 shielded

 N.O.
DC NPN
Connector 8pin



fine-pitch thread M12 x 50

Dimension (in mm)
Technical Specification
Operating voltage
Max. ripple
Voltage drop
Max. load current
No load current
Leakage current
Switching frequency
Switching hysteresis
Operating temperature
Temperature drift
Repeat accuracy
Switching state
Short-circuit proof
Overload protection
Reverse voltage protection
Protection category
EMC-level
Housing material
Material active face
Utilisation category
Termination
FIT / MTTF

10 - 30 VDC
≤ 10 %
2,4 V
200 mA
≤ 13 mA
< 10 μA
2000 Hz
≤ 15 %
-25 ° C to 70 ° C
≤ 10 %
≤ 10 %
LED
yes
yes
yes
IP67
DIN EN 60947-5-2:2008
Brass, nickel plated
PA 6.6
DC 13
Connector M12 4pol
47,96 / 2380y

Errors and omissions exceptet