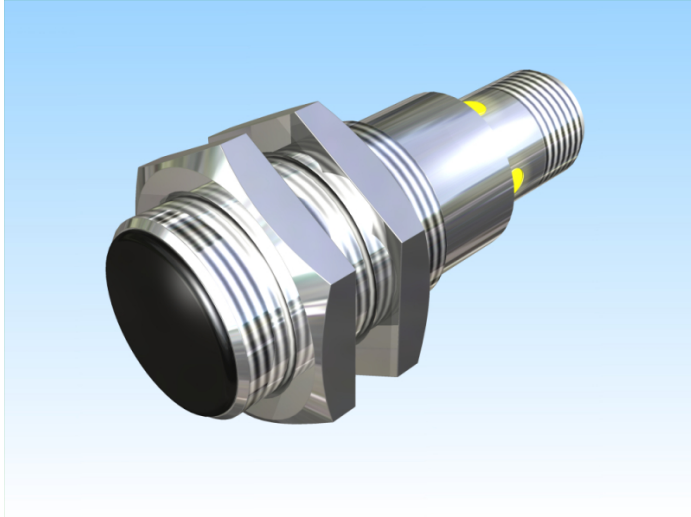
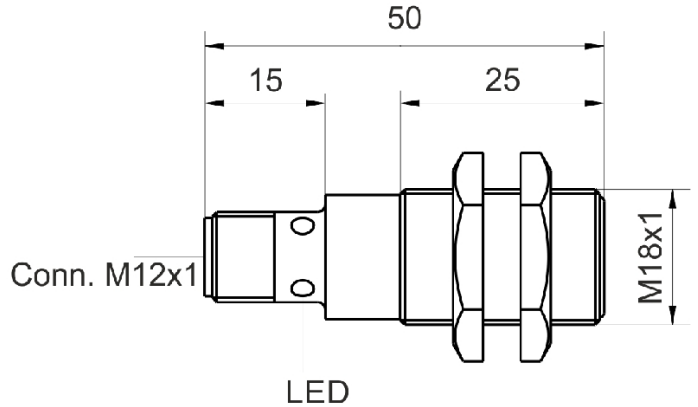


[Article Page](#)

Product Description



inductive sensor DC





Name
Order number
Matchcode
Switching distance
Mounting

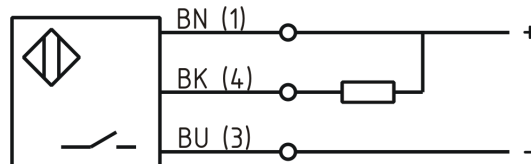
Switch type

Signal Type
Connection
Connection diagramm

KJ5-M18MB50-DNS-V2
08317842165
9984-2165
5 mm

 shielded

 N.O.
DC NPN
connector M12



fine-pitch thread M18 x 50

Dimension (in mm)
Technical Specification
Operating voltage
Max. ripple
Voltage drop
Max. load current
No load current
Leakage current
Switching frequency
Switching hysteresis
Operating temperature
Temperature drift
Repeat accuracy
Switching state
Short-circuit proof
Overload protection
Reverse voltage protection
Protection category
EMC-level
Housing material
Material active face
Utilisation category
Termination

10 - 30 VDC
≤ 10 %
2,4 V
200 mA
≤ 13 mA
≤ 10 μA
800 Hz
≤ 15 %
-25 ° C to 70 ° C
≤ 10 %
≤ 10 %
LED
yes
yes
yes
IP67
DIN EN 60947-5-2: 2008
Brass, nickel plated
Schulamid
DC 13
Connector M12 4pin

Errors and omissions exceptet