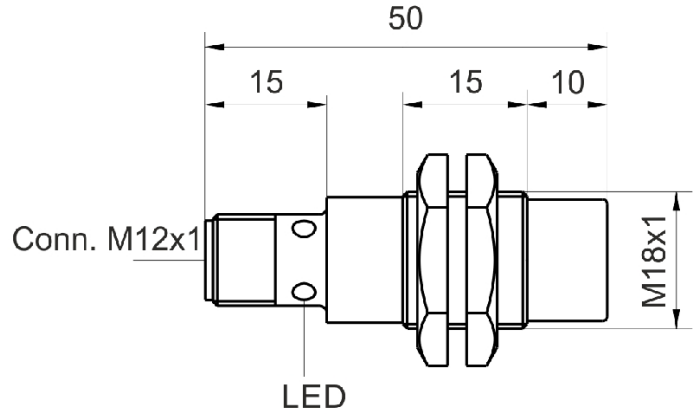


[Article Page](#)

Product Description



inductive sensor DC



Name
Order number
Matchcode
Switching distance
Mounting

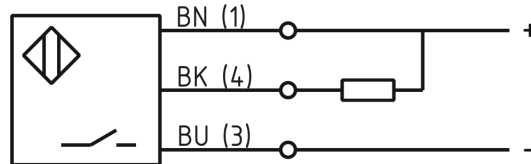
KJ8-M18MN50-DNS-V2
08317842365
9984-2365
8 mm

non shielded

Switch type

N.O.
DC NPN
connector M12

Signal Type
Connection
Connection diagramm



fine-pitch thread M18 x 50

Dimension (in mm)
Technical Specification
Operating voltage
Max. ripple
Voltage drop
Max. load current
No load current
Leakage current
Switching frequency
Switching hysteresis
Operating temperature
Temperature drift
Repeat accuracy
Switching state
Short-circuit proof
Overload protection
Reverse voltage protection
Protection category
EMC-level
Housing material
Material active face
Utilisation category
Termination

10 - 30 VDC
≤ 10 %
2,4 V
200 mA
≤ 13 mA
≤ 10 μA
500 Hz
≤ 15 %
-25 ° C to 70 ° C
≤ 10 %
≤ 10 %
LED
yes
yes
yes
IP67
DIN EN 60947-5-2: 2008
Brass, nickel plated
VALOX DR48
DC 13
Connector M12 4pin



KJ8-M18MN50-DNS-V2

Pulsotronic GmbH & Co. KG Neue Schichtstraße 14b 09366 Niederdorf Deutschland +49 (0)37296 930-200

Errors and omissions excepted